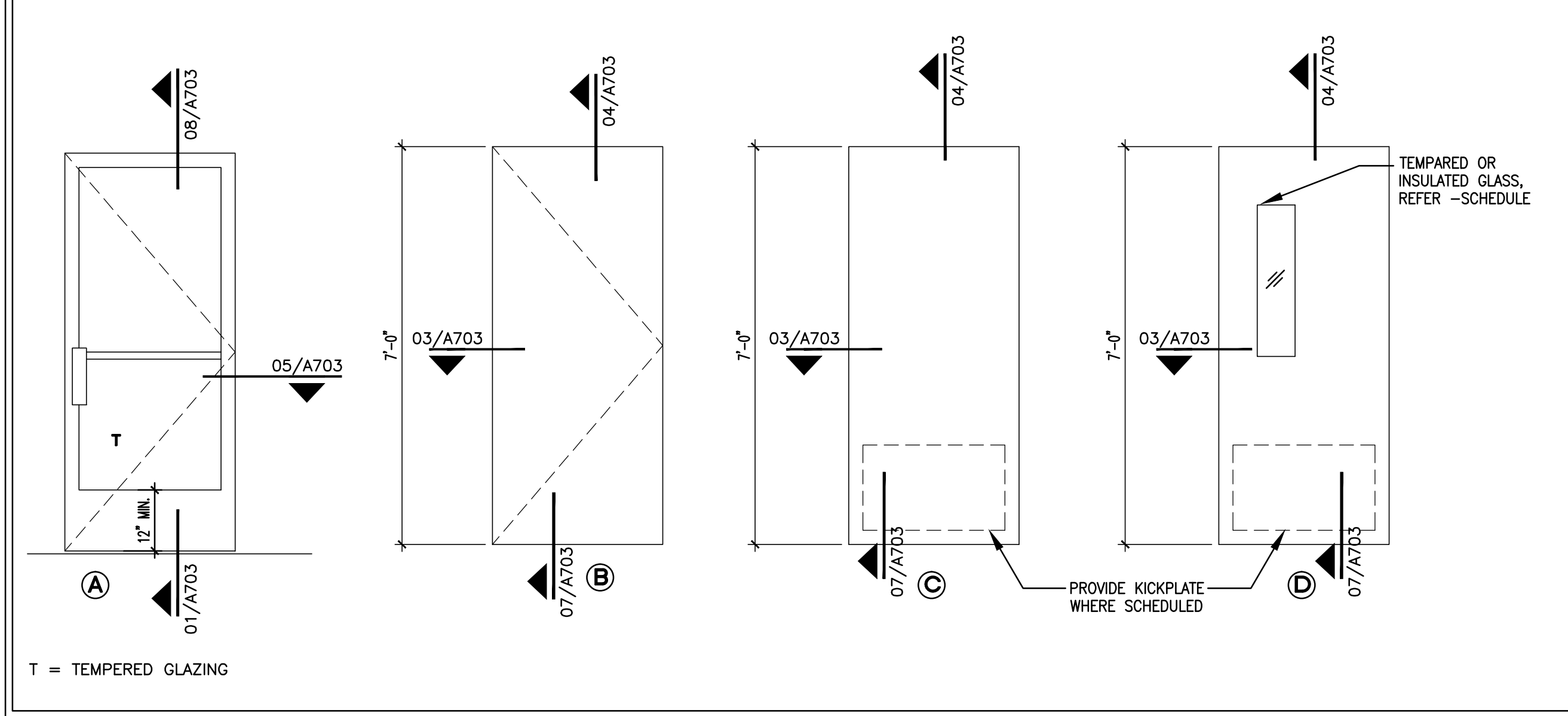


DOOR SCHEDULE

GL & ALUM NAT ANOD ALUM. NAT ANOD

DR. NO.	ROOM	ROOM NO.	DOOR			FRAME		HDWR GROUP	REMARKS	
			TYPE	SIZE	MATERIALS	FINISH	MATL.			FINISH
100	VESTIBULE	101	A	PR 6'-0" x 7'-0"	GL & ALUM	DRK. BRONZE	ALUM.	DRK. BRONZE	1	EXIT AND HEAVY DUTY TYPE
101	VESTIBULE	101	A	PR 6'-0" x 7'-0"	GL & ALUM	DRK. BRONZE	ALUM.	DRK. BRONZE	1	EXIT AND HEAVY DUTY TYPE
102	IMAM'S ROOM	102	B	3'-0" x 7'-0"	S. C. WOOD	STAINED	H.M.	PAINTED	2	1 HR RATED
103	MEN'S REST ROOM	103	C	3'-0" x 7'-0"	S. C. WOOD	STAINED	H.M.	PAINTED	2	1 HR RATED
104	STORAGE	104	B	3'-0" x 7'-0"	S. C. WOOD	STAINED	H.M.	PAINTED	2	1 HR RATED
105	BODY WASH	109	C	3'-0" x 7'-0"	S. C. WOOD	STAINED	H.M.	PAINTED	2	1 HR RATED
107	ADMIN STORE	107	B	3'-0" x 7'-0"	S. C. WOOD	STAINED	H.M.	PAINTED	2	1 HR RATED
108	ADMIN	108	B	3'-0" x 7'-0"	S. C. WOOD	STAINED	H.M.	PAINTED	2	1 HR RATED
109	NOT USED									
110	MEN'S PRAYER HALL	110	B	6'-0" x 7'-0"	S. C. WOOD	STAINED	H.M.	PAINTED	2	1 HR RATED
111	GIRL'S CLASS ROOM	111	B	3'-0" x 7'-0"	S. C. WOOD	STAINED	H.M.	PAINTED	2	1 HR RATED
111.1	GIRL'S CLASS ROOM	111	B	3'-0" x 7'-0"	S. C. WOOD	STAINED	H.M.	PAINTED	2	1 HR RATED
112	BOY'S CLASS ROOM	112	B	3'-0" x 7'-0"	S. C. WOOD	STAINED	H.M.	PAINTED	2	1 HR RATED
112.1	BOY'S CLASS ROOM	112	B	3'-0" x 7'-0"	S. C. WOOD	STAINED	H.M.	PAINTED	2	1 HR RATED
113	MECH./EE.	113	B	3'-0" x 7'-0"	S. C. WOOD	STAINED	H.M.	PAINTED	2	1 HR RATED
114	WOMEN PRAYER HALL	114	B	3'-0" x 7'-0"	S. C. WOOD	STAINED	H.M.	PAINTED	2	1 HR RATED
114.1	WOMEN PRAYER HALL	114	B	6'-0" x 7'-0"	S. C. WOOD	STAINED	H.M.	PAINTED	2	1 HR RATED
115	CLOSET	115	B	3'-0" x 7'-0"	S. C. WOOD	STAINED	H.M.	PAINTED	2	1 HR RATED
117	STORAGE	117	B	3'-0" x 7'-0"	S. C. WOOD	STAINED	H.M.	PAINTED	2	1 HR RATED
119	WOMEN'S REST RM.	119	C	3'-0" x 7'-0"	S. C. WOOD	STAINED	H.M.	PAINTED	2	1 HR RATED
119.1	WOMEN'S REST RM.	119	C	3'-0" x 7'-0"	S. C. WOOD	STAINED	H.M.	PAINTED	2	1 HR RATED
120	JANITOR	120	B	3'-0" x 7'-0"	S. C. WOOD	STAINED	H.M.	PAINTED	2	1 HR RATED
121	VESTIBULE	121	A	PR 3'-0" x 7'-0"	GL & ALUM	DRK. BRONZE	ALUM.	DRK. BRONZE	1	EXIT AND HEAVY DUTY TYPE
121.1	VESTIBULE	121	A	PR 6'-0" x 7'-0"	GL & ALUM	DRK. BRONZE	ALUM.	DRK. BRONZE	1	EXIT AND HEAVY DUTY TYPE
122	KITCHEN	122	D	3'-0" x 7'-0"	S. C. WOOD	STAINED	H.M.	PAINTED	2	1 HR RATED
122.1	KITCHEN	122	D	3'-0" x 7'-0"	S. C. WOOD	STAINED	H.M.	PAINTED	2	1 HR RATED
123	DRY STORE	123	C	3'-0" x 7'-0"	S. C. WOOD	STAINED	H.M.	PAINTED	2	1 HR RATED

DOOR TYPES



DOOR NOTES

ALL EXTERIOR DOORS WITH FRAMES ARE TO BE INSULATED. U.N.O.

THRESHOLDS AT DOORWAYS SHALL NOT EXCEED 1/2" IN HEIGHT. RAISED THRESHOLDS AND FLOOR LEVEL CHANGES AT ACCESSIBLE DOORWAYS SHALL BE BEVELED WITH A SLOPE NO GREATER THAN 1:2

DOOR HARDWARE. HANDLES, PULLS, LATCHES, LOCKS, AND OTHER OPERATING DEVICES ON ACCESSIBLE DOORS SHALL HAVE A SHAPE THAT IS EASY TO GRASP WITH ONE HAND AND DOES NOT REQUIRE TIGHT GRASPING, TIGHT PINCHING, OR TWISTING OF THE WRIST TO OPERATE. LEVER-OPERATED MECHANISMS, PUSH-TYPE MECHANISMS, AND U-SHAPED HANDLES ARE ACCEPTABLE DESIGNS. WHEN SLIDING DOORS ARE FULLY OPEN, OPERATING HARDWARE SHALL BE EXPOSED AND USABLE FROM BOTH SIDES. HARDWARE REQUIRED FOR ACCESSIBLE DOOR PASSAGE SHALL BE MOUNTED NO HIGHER THAN 48 IN (1220 MM) ABOVE FINISHED FLOOR.

DOOR CLOSERS. IF A DOOR HAS A CLOSER, THEN THE SWEEP PERIOD OF THE CLOSER SHALL BE ADJUSTED SO THAT FROM AN OPEN POSITION OF 70 DEGREES, THE DOOR WILL TAKE AT LEAST 3 SECONDS TO MOVE TO A POINT 3 IN (75 MM) FROM THE LATCH, MEASURED TO THE LEADING EDGE OF THE DOOR.

DOOR OPENING FORCE. THE MAXIMUM FORCE FOR PUSHING OR PULLING OPEN A DOOR SHALL BE AS FOLLOWS:

- (1) FIRE DOORS SHALL HAVE A MINIMUM OPENING FORCE ALLOWABLE BY THE APPROPRIATE ADMINISTRATIVE AUTHORITY.
- (2) OTHER DOORS.
 - (A) EXTERIOR HINGED DOORS: (RESERVED)
 - (B) INTERIOR HINGED DOORS: 5 LBF (22.2N)
 - (C) SLIDING OR FOLDING DOORS: 5 LBF (22.2N)

THESE FORCES DO NOT APPLY TO THE FORCE REQUIRED TO RETRACT LATCH BOLTS OR DISENGAGE OTHER DEVICES THAT MY HOLD THE DOOR IN A CLOSED POSITION.

DOOR HARDWARE

SET 1: ALUMINUM STOREFRONT DOORS

PIVOTS: CAST ALUMINUM ALLOY WITH STEEL PINS
OFFSET PIVOTS AT DOORS OVER 7' 6"

CLOSER: LCN #2036
DOOR STOPS: FLIP UP TYPE WITH RUBBER SHOE
LOCKSET: ADAMS RITE MS 185/S 3 PT LATCH WITH BEST CYLINDERS #4085 POSITIONER, #4015 DROP BOLT, STRIKE BASE W/DUST COVER

PANIC HARDWARES: STD. ALUM. STYLE F-2, FULL DOOR WIDTH
OR PUSH BARS: ALL DOOR LEAFS ON PUSH SIDE AT DOORS 101, 105, 107, 108, 110, 112, & 113

PULL HANDLES: STD. ALUM. STYLE F-2, OR MANUF. RECOMMENDATION
FULL DOOR WIDTH, EXTERIOR OF "OUT" DOORS

THRESHOLD: EXTRUDED ALUM IN MILL FINISH, OVERALL HT OF 1/2"
PEMCO EQUAL OR MANUF. RECOMMENDATION

WEATHERSTRIPPING: ALL SIDES, MANUFACTURER'S RECOMMENDATION

SET 2: TOILET DOORS

HINGES: 3-4 1/2 X 4 1/2 X US26D BB BUTTS
LOCK SET: SCHLAGE LOCKSET AL 40 SAT 626 (SATURN)
CLOSER: CORBIN - RUSSWIN #OC2200
WALL OR FLOOR STOP: GLYN-JOHNSON #1153 M

SET 3: ALL OTHER WOOD DOORS

BUTTS: STANLEY F179 - NRP - 4 1/2", 1 1/2" PAIR
PASSAGE SET: SARGENT 8LU15
CLOSER: SARGENT 1100 SERIES
WALL OR FLOOR STOP: BY TENANT
SILENCERS: 3-GJ64
KICK PLATES: BY 10"X34"X.05"-626

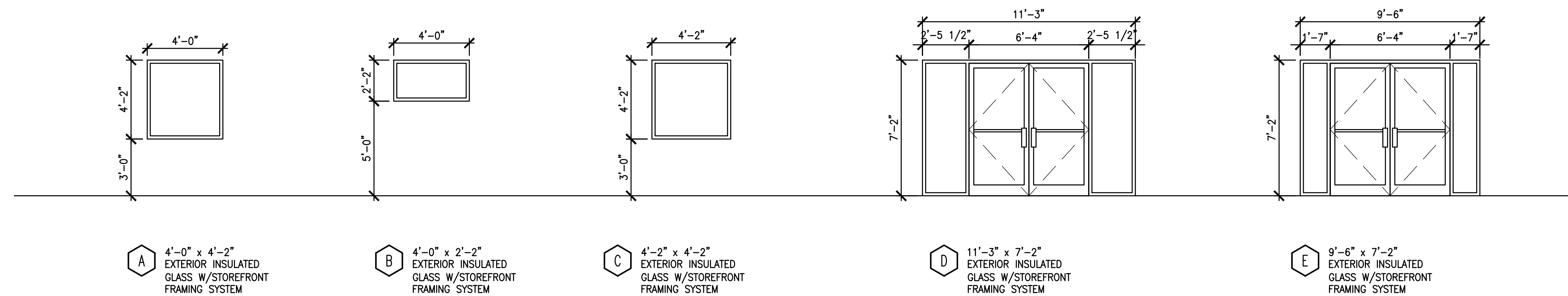
SET 4: METAL DOOR

BUTTS: STANLEY F179 - NRP - 4 1/2", 1 1/2" PAIR
PASSAGE SET: SARGENT 8LU15
CLOSER: SARGENT 1100 SERIES
WALL OR FLOOR STOP: GLYN-JOHNSON #1153 M
SILENCERS: 3-GJ64
KICK PLATES: BY 10"X34"X.05"-626

KEYING

ALL CYLINDERS SHALL BE KEYED ALIKE. PROVIDE TWO (2) CHANGE KEYS AND ONE (1) CONTROL KEY.

WINDOWS SCHEDULE TYPES



NOT FOR CONSTRUCTION

FFK DESIGN
 400 chisholm place
 plano, texas 75070
 972-424 1325 (W)
 469-258-9522 (C)
 email: fahim252@aol.com
 web: ffr-architect.com

Original Date:

JUNE 22, 2017

Issue Log

ISSUED FOR REVIEW	06/30/2017
ISSUED FOR REVIEW	07/05/2017
ISSUED FOR REVIEW	07/06/2017
ISSUED FOR REVIEW	07/08/2017
ISSUED FOR REVIEW	08/02/2017
ISSUED FOR PERMIT	08/07/2017
OWNERS COMMENT	10/05/2017

DRAWN BY: AK CHECKED BY: MFK

© COPYRIGHT

FACE UPLIFT AND INTERIOR FINISH OUT

MASJID

ISLAMIC ASSOCIATION OF FORT WORTH
 AT 4500 COLUMBUS TRAIL, FORT WORTH, TEXAS 76183

This document, whether in hard copy or electronic format, is confidential and an instrument of Services in respect to the project for which it was prepared. This document is not intended or authorized for reuse by any party on any other project or any other project. Any reuse, including copying, modification, distribution, or disclosure of any part of this document, without written permission from FFK Design for the specific purpose intended is a violation of copyright law. Unlawful use of this material may result in civil and/or criminal penalties.

Sheet Number:

A701

Project Number:

17-041